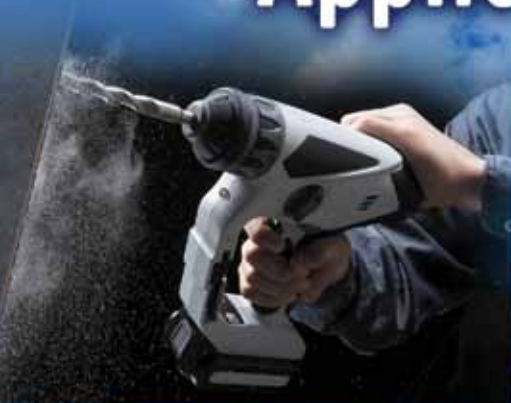


# INTELLIGENT **POWER<sup>2</sup>**<sup>®</sup>

for

## Industrial/Automotive Applications



**O<sub>2</sub>Micro**<sup>®</sup>  
Breaking Life into Mobility

# Industrial/Automotive Product Guide

Part Number	Description	Cell(s)	Package(s) Available (Lead-free)	Page No.
<b>Analog Front End (AFE)</b>				
<b>OZ9350</b>	AFE with Cell Balance and I <sup>2</sup> C Interface	4-7 Cells	16 QFN, SOP	5
<b>Battery Management Units (BMUs) and Gauges (with cell balance)</b>				
<b>OZ890</b>	High Power BMU	5-13 Cells	64 LQFP	6
<b>OZ8920</b>	High Power BMU	5-8 Cells	48 LQFP	7
<b>OZ8930</b>	High Power BMU	3-6 Cells	24 QFN, TSSOP	8
<b>OZ8940</b>	High Power BMU	6-12 Cells	32 LQFP	9
<b>OZ9310</b>	SBS Battery Gauge and Protection	3-4 Cells	40 QFN, 38 TSSOP	10
<b>OZ9320/ OZ9324</b>	SBS Battery Gauge and Protection	2 Cells	24 TSSOP/ 30 TSSOP	11
<b>OZ9313</b>	Battery Gauge for High Power BMU	Any Cells	30 TSSOP	12
<b>Cell Monitors, BMUs and Gauges (without cell balance)</b>				
<b>OZ8800</b>	Monitor and Secondary Protection	3-7 Cells	10 DFN	13
<b>OZ8806</b>	Monitor + High Accuracy Coulomb Counter	1-2 Cells	10 QFN	14
<b>OZ8952</b>	Low Cost Li-Ion BMU	3-4 Cells	16 SOP, SSOP	15
<b>OZ8953</b>	Low Cost Li-Ion BMU	5 Cells	16 SOP, SSOP	16
<b>OZ8955</b>	Low Cost Li-Ion BMU	3-5 Cells	16 SOP, SSOP	17
<b>Hybrid Electric Vehicle (HEV)/Electric Vehicle (EV)</b>				
<b>OZ8902</b>	Stackable High Power BMU with Cell Balance	12 Cells	48 LQFP	18
<b>DC/DC Converter Controllers</b>				
<b>OZ8033</b>	3A Low Dropout Linear Regulator		8 E-SOP	19
<b>OZ8116/ OZ8138</b>	Single/Dual Ultra High Efficiency DC/DC		16 QFN/ 24 QFN	20

# Industrial/Automotive Product Guide

Part Number	Description	Package(s) Available (Lead-free)	Page No.
<b>LED Controller ICs for GENERAL LIGHTING Applications – NON-ISOLATED</b>			
<b>OZ8022A/ OZ8022B/ OZ8022M</b>	3-Step Dimming	SOT-23-6	21
<b>OZ8022T</b>	High Power Factor, 3-Step Dimming	16 QFN	22
<b>OZ8022V</b>	High Power Factor	SOT-23-6	23
<b>OZ8024</b>	Continuous Dimming	16 QFN, 8 SOP	24
<b>LED Controller ICs for GENERAL LIGHTING Applications – ISOLATED</b>			
<b>OZ8027</b>	High Power Factor	8 SOP	25
<b>OZ8027A</b>	High Power Factor, 3-Step Dimming	8 SOP	26
<b>OZ8023/ OZ8025</b>	High Power Factor, 3-Step Dimming for High Power Applications	8 SOP/SOT-23-6	27

# Industrial/Automotive Applications

## Mission Statement

Lead the industry as the supplier of highly integrated and efficient Industrial and Automotive solutions for battery and power management in electronic products for the Computer, Consumer, Industrial, Automotive, and Communications markets worldwide.

## PRODUCTS

O<sub>2</sub>Micro's *Intelligent Power for Industrial and Automotive Application* products cross three IC categories – **Battery**, **Power Management**, and **Lighting**.



**Battery Management Unit (BMU)** products are highly integrated, mixed signal ICs designed with **Cool Battery Technology**<sup>®</sup>. BMUs provide next generation, safe battery management.

DC/DC Controllers are **Power Management** ICs. Equipped with **Constant-Ripple-Current**<sup>®</sup> technology, they are specially developed to design high efficiency power supplies.

**Lighting** LED Drivers, part of the *Intelligent Lighting* family of ICs, include patented **Free Dimming**<sup>™</sup> technology for step dimming and continuous dimming control.



# OZ9350

## FEATURES

- Analog Front End (AFE) with Cell Balance and I<sub>2</sub>C communications with a microcontroller
- Input: 4–7 cells series connected; Lithium Ion (Li-Ion), Li-Polymer, Phosphate and Lead acid (PbA) battery cells
- Output: Multiplexes and level shifts individual cell, battery pack, and chip internal temperature voltages to an analog output for a host microcontroller
- I<sup>2</sup>C BUS serial communication with host microcontroller
- Fast analog: Voltage output stable within 100μs after channel selection
- Integrated reverse voltage protection (0.9V typical threshold) to prevent cell damage
- Integrated Under-Voltage Lockout (UVLO) protection
- Integrated cell balance drivers eliminate external components
- 3.3V LDO with 25mA output drive ability to power microcontroller
- Integrated charge MOSFET driver (P-channel in high side or N-channel in low side) and discharge N-channel MOSFET driver (low side)
- Low power consumption modes: Full power < 80μA, Sleep < 10μA (5μA typical value at 25°C), and Power down < 1μA (0.1μA typical value at 25°C)

## GENERAL DESCRIPTION

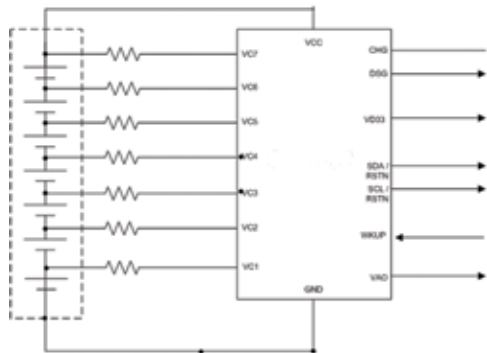
OZ9350 is an AFE IC for 4-7 cell battery pack applications. It is designed to work with a host microcontroller and its Analog-to-Digital Converter (ADC).

OZ9350's internal analog multiplexer level shifts and conditions the individual cell voltages becoming a ground referenced signal, that a microcontroller can directly measure, increasing accuracy, eliminating discrete components and simplifying analog design.

## APPLICATIONS

- Electric Bicycle
- Power Tool
- Battery Backup System
- Hybrid Vehicle
- Portable Test Equipment
- Medical System
- Military Electronics

## APPLICATION BLOCK DIAGRAM



# OZ890

## FEATURES

- High power BMU
- Highly integrated battery pack monitor and protection
  - Li-Ion and Li-Polymer (Co, Mn and FeP chemistries) and NiMH battery cells
  - 5-13 cells standalone, and addressable up to 208 cells (16 BMU ICs)
  - 5-13 voltage channels, 3 external temperature channels and 1 current channel
  - Fully EEPROM programmable battery protection parameters
  - Built-in protection includes: over-voltage, under-voltage, over-current, short circuit, over-temperature, under-temperature, cell unbalance, and permanent failure
- External and Internal cell balancing
- Current measurement for coulomb counting with external microcontroller
- Low power consumption

## GENERAL DESCRIPTION

OZ890 is a highly integrated IC for battery pack protection and monitoring, used to manage Li-Ion and Li-Polymer or Nickel Metal Hydride (NiMH) packs with 5-13 series cells.

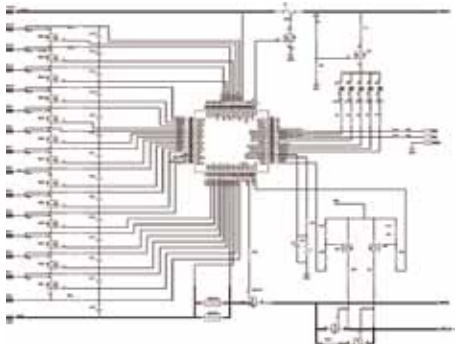
With an integrated multi-channel, 16-bit Analog-to-Digital Converter (ADC), OZ890 continuously monitors each cell voltage, charge current, discharge current and pack temperature to provide maximum battery safety. It also provides a Permanent Failure function that will automatically assert a signal to blow an external fuse to open the power line or to issue an alarm to the user in extreme conditions.

OZ890 may be configured to work in standalone “hardware” mode or with a microcontroller in “software” mode by configuring the EEPROM.

## APPLICATIONS

- Electric Bicycle
- Electric Motorcycle
- Power Tool
- Uninterruptable Power Supply (UPS) Backup Battery
- Electric Vehicle (EV/HEV/PHEV)

## APPLICATION DIAGRAM



U.S. Patent #'s 6,744,394; 7,081,737; 7,161,520; 7,196,652; 7,352,155; 7,466,104; 7,629,771; 7,642,750; 7,679,324; 7,696,725; 7,701,177; 7,821,229; 7,973,514; 8,004,246; 8,030,895; 8,044,815; and more patents pending.

# OZ8920

## FEATURES

- High power BMU
- Highly integrated battery pack monitor and protection
  - Li-Ion and Li-Polymer (Co, Mn and FeP chemistries) and NiMH battery cells
  - 5-8 cells standalone, and addressable up to 144 cells (16 BMU ICs)
  - 5-8 voltage channels, 3 external temperature channels and 1 current channel
  - Fully EEPROM programmable battery protection parameters
  - Built-in protection includes: over-voltage, under-voltage, over-current, short circuit, over-temperature, under-temperature, cell unbalance, and permanent failure
- External and Internal cell balancing
- Current measurement for coulomb counting with external microcontroller
- Low power consumption

## GENERAL DESCRIPTION

OZ8920 is a highly integrated IC for battery pack protection and monitoring, used to manage Li-Ion and Li-Polymer packs with 5-8 series cells.

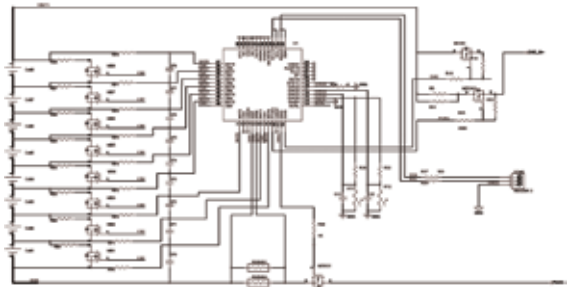
With an integrated multi-channel 16-bit Analog-to-Digital Converter, OZ8920 continuously monitors each cell voltage, the charge current, discharge current and pack temperature to provide maximum battery safety. It also provides a Permanent Failure function that will automatically assert a signal to blow an external fuse to open the power line or to issue an alarm to the user in extreme conditions.

OZ8920 may be configured to work in standalone “hardware” mode or with a microcontroller in “software” mode by configuring the EEPROM.

## APPLICATIONS

- Electric Bicycle
- Electric Motorcycle
- Power Tool
- Energy Storage System (ESS)/UPS Backup Battery

## APPLICATION DIAGRAM



# OZ8930

## FEATURES

- High power BMU
- Highly integrated battery pack monitor and protection
  - Li-Ion and Li-Polymer, and Phosphate battery cells
  - 3-6 cells standalone
  - 3-6 voltage channels, 2 external temperature channels and 1 current channel
  - JEITA standard compliant
  - Self-diagnostics
  - OTP programmable battery protection parameters
  - Built-in protection includes: over-voltage, under-voltage, over-current (COC, DOC0, DOC1), short circuit, over-temperature, under-temperature, cell unbalance, and permanent failure
- Internal cell balancing
- Current measurement for coulomb counting with external microcontroller
- Low power consumption

## GENERAL DESCRIPTION

OZ8930 is a highly integrated IC for battery pack protection and monitoring, used to manage Li-Ion and Li-Polymer packs with 3-6 series cells.

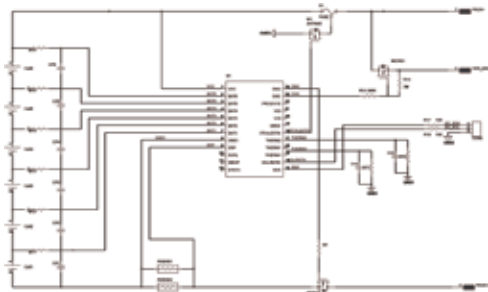
With an integrated multi-channel 14-bit Analog-to-Digital Converter, OZ8930 continuously monitors each cell voltage, charge current, discharge current and pack temperature to provide maximum battery safety. It also provides a Permanent Failure function that will automatically assert a signal to blow an external fuse to open the power line or to issue an alarm to the user in extreme conditions.

OZ8930 may be configured to work in standalone “hardware” mode or with a microcontroller in “software” mode by configuring the OTP programmable memory.

## APPLICATIONS

- Power Tool
- Backup Power Supply

## APPLICATION DIAGRAM



U.S. Patent #'s 6,744,394; 7,081,737; 7,161,520; 7,196,652; 7,352,155; 7,466,104; 7,629,771; 7,642,750; 7,696,725; 7,701,177; 7,821,229; 8,004,246; and more patents pending.



# OZ8940

## FEATURES

- High power BMU
- Highly integrated battery pack monitor and protection
  - Li-Ion and Li-Polymer (Co, Mn and FeP chemistries), NiMH and Fuel cells
  - 6-12 cells standalone
  - 6-12 voltage channels, 2 external temperature channels
  - Fully programmable battery protection parameters
  - Built-in protection includes: over-voltage, under-voltage, over-current, short circuit, over-temperature, under-temperature, cell unbalance, and permanent failure
- Internal cell balancing
- Low power consumption

## GENERAL DESCRIPTION

OZ8940 is a highly integrated IC for battery pack protection and monitoring, used to manage Li-Ion and Li-Polymer packs with 6-12 series cells.

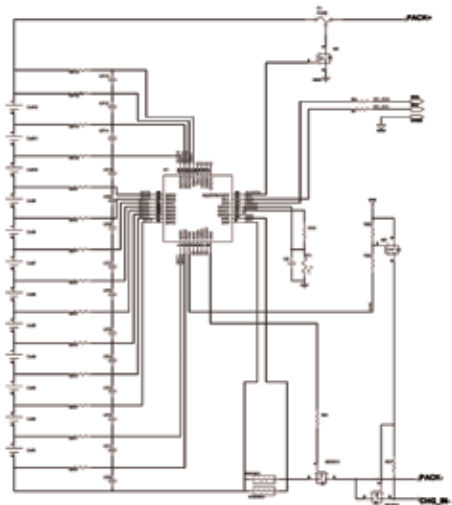
With an integrated multi-channel 12-bit ADC, OZ8940 continuously monitors each cell voltage and pack temperature to provide maximum battery safety. It also provides a Permanent Failure function that will automatically assert a signal to blow an external fuse to open the power line or to signal an alarm to the user.

OZ8940 may be configured to work in standalone “hardware” mode or with a microcontroller in “software” mode by configuring the EEPROM.

## APPLICATIONS

- Electric Bicycle
- Electric Motorcycle
- Power Tool
- UPS Backup Battery
- Electric Vehicle (EV/HEV/PHEV)
- Fuel Cell

## APPLICATION DIAGRAM



U.S. Patent #'s 6,744,394; 7,081,737; 7,161,520; 7,196,652; 7,352,155; 7,466,104; 7,629,771; 7,642,750; 7,696,725; 7,701,177; 7,821,229; 8,004,246; and more patents pending.

# OZ9310

## FEATURES

- Fully integrated, high accuracy battery gauge with protection functions for 3 and 4 cell Li-Ion and Li-Polymer batteries
- Compliant with Smart Battery Specification (SBS) version 1.1, IEEE1625, and JEITA
- Supports Intel NVDC and CBB topology
- Battery Gauge with hardware for impedance measurement
- Measures charge current and discharge current with a dedicated 16-bit ADC
- Monitors individual cell and terminal voltages with up to 15-bit resolution
- Integrated cell balancing circuits and temperature sensor
- Integrated, multiple-level cell protection includes: over-voltage, under-voltage, over-current, short circuit, over-temperature, under-temperature, cell unbalance, and permanent failure
- Embedded flash program and data storage allows flexible support of battery changing
- *Integrated* multi-GPIOs; 8-bit PWM with 2-bit pre-scalar (option); 10-bit PDM controller; 3.3V and 1.8V voltage regulators; and pre-charge, charge and discharge FET drivers
- Low standby current: 20 $\mu$ A typical

## GENERAL DESCRIPTION

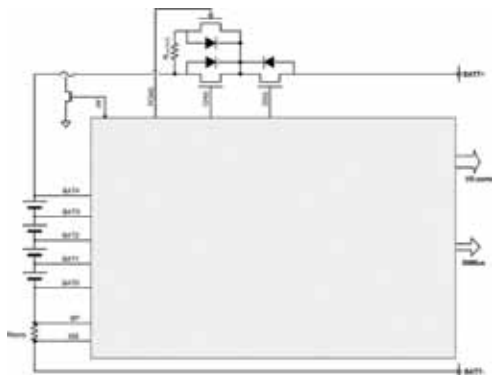
OZ9310 is a highly integrated battery gauge and protection IC. It measures the state-of-charge of a Li-Ion or Li-Polymer battery pack and its individual cells with a highly accurate, low power battery gauge function.

The Battery Gauge software calibrates itself automatically and continuously, without waiting for a full charge and discharge cycle to occur, significantly increasing the reliability and accuracy of the battery pack.

## APPLICATIONS

- Notebook Computer
- Portable Equipment
- Test Equipment

## APPLICATION DIAGRAM



U.S. Patent #'s 6,744,394; 7,081,737; 7,095,221; 7,161,520; 7,196,652; 7,589,499; 7,646,169; 7,667,435; 7,696,725; 8,004,246; 8,030,973; 8,169,249; and more patents pending.

# OZ9320/9324

## FEATURES

- Fully integrated, high accuracy battery gauge with protection functions for 2-cell Li-Ion and Li-Polymer batteries
- Compliant with SBS version 1.1, IEEE1625, and JEITA
- Implements Intel NVDC and CBB topology
- Battery Gauge with hardware for impedance detection
- Measures charge current and discharge current with a dedicated 16-bit ADC
- Monitors individual cell and terminal voltages with up to 15-bit resolution
- Integrated cell balancing circuits and temperature sensor
- Integrated, multiple-level cell protection includes: over-voltage, under-voltage, over-current, short circuit, over-temperature, under-temperature, cell unbalance, and permanent failure
- Embedded flash program and data storage allows flexible support of battery changing
- **OZ9320:** *Integrated* multi-GPIOs; 8-bit Pulse Width Modulation (PWM) with 2-bit pre-scalar (option); 10-bit Pulse Density Modulation (PDM) controller; 3.3V and 1.8V voltage regulators; and pre-charge, charge/discharge FET drivers
- **OZ9324:** *Integrated* multi-GPIOs; 10-bit PDM controller; 3.3V and 1.8V voltage regulators; and pre-charge, charge/discharge FET drivers
- Low standby current: 20 $\mu$ A typical

## GENERAL DESCRIPTION

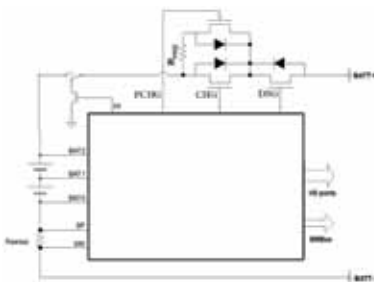
OZ9320/24 are highly integrated battery gauge and protection ICs for 2-cell battery packs. Each measures the state-of-charge of a Li-Ion or Li-Polymer battery pack and its individual cells with a highly accurate, low power battery gauge function.

The Battery Gauge software calibrates itself automatically and continuously, without waiting for a full charge and discharge cycle to occur, significantly increasing the reliability and accuracy of the battery pack.

## APPLICATIONS

- Netbook/Notebook Computer
- Tablet PC
- Digital Camcorder/Camera
- Portable Equipment

## APPLICATION DIAGRAM



U.S. Patent #'s 6,744,394; 7,081,737; 7,095,221; 7,161,520; 7,196,652; 7,589,499; 7,646,169; 7,667,435; 7,696,725; 8,004,246; 8,030,973; 8,169,249; and more patents pending.

# OZ9313

## FEATURES

- Integrated, 8-bit microcontroller with high performance and low power consumption
- Integrated, highly accurate ADC with different types of BMU ICs in a high power battery, providing an accurate state-of-charge:
  - OZ890 +OZ9313: 5-13 cells
  - OZ8940 +OZ9313: 6-12 cells
  - OZ8920 +OZ9313: 5-8 cells
  - Stacked protection ICs + OZ9313
- SBS version 1.1 compatible; and supports JEITA
- Measures charge and discharge current with a dedicated 16-bit ADC
- Monitors individual cell and terminal voltages, and external temperature from BMU chips
- Integrated internal temperature sensor
- Programmed to scan BMU protection that includes: over-voltage, under-voltage, over-current, short circuit, over-temperature, and under-temperature
- Embedded 64k bytes flash and 1k bytes SRAM to support a variety of battery characteristics in high power applications
- Integrated 8-bit PWM with 2-bit pre-scalar; multi-GPIOs, 2 GPO; and 1.8V voltage regulator
- Full power and sleep modes; low sleep mode current < 10 $\mu$ A typical

## GENERAL DESCRIPTION

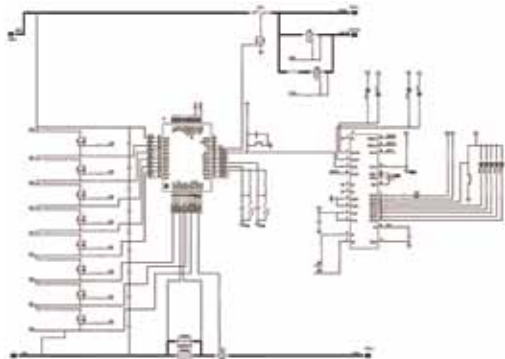
OZ9313 is a highly accurate battery gauge designed to work with O<sub>2</sub>Micro's high power battery protection BMU ICs. It directly measures charge and discharge current using its low power, sigma-delta ADC, resulting in accurate state-of-charge information.

OZ9313, with proprietary battery gauge software, automatically self-calibrates without waiting to complete a charge/discharge cycle, significantly increasing the reliability and accuracy of a variety of high power battery packs.

## APPLICATIONS

- Electric Bicycle
- Electric Motorcycle
- Power Tool
- Backup Battery Pack

## APPLICATION DIAGRAM



U.S. Patent #'s 6,744,394; 7,095,211; 7,161,520; 7,196,652; and more patents pending.

# OZ8800

## FEATURES

- Battery monitor and secondary protection IC for 3-7 cell Li-Ion batteries
- High accuracy Over-voltage (OV) protection
- Low Active Power and Standby Current consumption
- False trigger protection with user-configurable blanking delay
- High current output driver for Power PMOS

## GENERAL DESCRIPTION

OZ8800 maximizes battery pack safety with precision over-voltage detection for 3-7 cell Li-Ion battery packs.

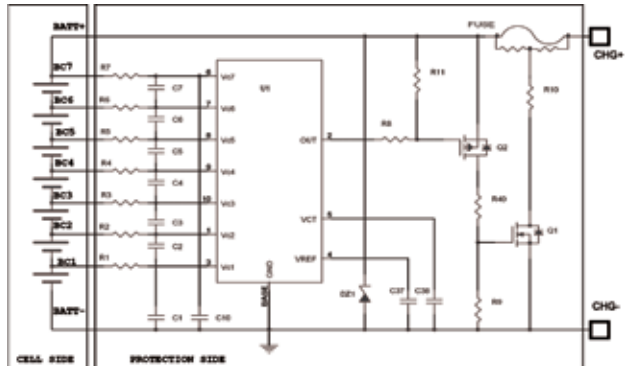
An OV protection fault is indicated when a cell exceeds the user-set over-voltage threshold. If any one of the cells reach the OV threshold, a time delay is started. Upon time-out, if the OV condition is still present, this fault condition turns ON the external PMOS transistor (driven by the OUT pin) to isolate the path between the charger and the battery, by opening a fuse.

OZ8800 has a user-configurable delay for over-voltage detection time. This reduces false triggering and inadvertently blowing the Battery Pack protection fuse.

## APPLICATIONS

- Power Tool
- UPS
- Electric Vehicle (LEV/EV/PHEV)

## APPLICATION DIAGRAM



# OZ8806

## FEATURES

- Efficient Smart Phone battery monitor and high accuracy Coulomb Counter for 1-2 cell batteries
- Monitors:
  - Battery voltage
  - Temperature
  - Current for coulomb counting and battery gauge
- Resides in either the Host or the Battery Pack
- I<sup>2</sup>C communication protocol
- OCV (Open Circuit Voltage) detection when chip is in start-up and sleep modes
- Low power consumption

## GENERAL DESCRIPTION

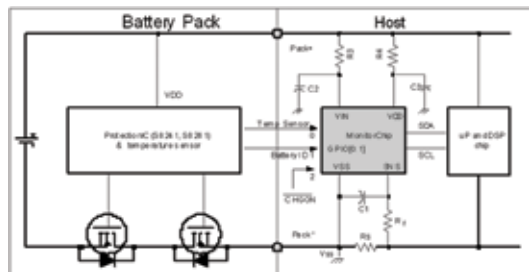
OZ8806 is a single cell battery monitor chip that works either in the battery pack or host. It provides current-flow, voltage, and temperature measurement data to support battery capacity monitoring in cost-sensitive applications.

Current measurement and coulomb counting is accomplished by monitoring the voltage drop across an external sense resistor. Voltage measurement is accomplished through a separate voltage-sense input. Two GPIOs may be used to detect battery temperature or for other purposes.

## APPLICATIONS

- Netbook Computer
- Tablet
- Smart Phone
- PDA
- Cell Phone
- Handheld Rechargeable Battery

## APPLICATION DIAGRAM











# OZ8902

## FEATURES

- Data acquisition for 6-12 cell battery packs using Li-Ion, Li-Polymer, LiFePO<sub>4</sub>, and Nickel Metal Hydride (NiMH) battery cells; fuel cells, PbA batteries, or ultra-capacitors
- Compliant with ISO16949 standard
- High accuracy cell voltage detection: <+15mV (-40 ~ 105°C)
- 12-bit, multi-channel ADC
- Trigger scan enables current and voltage measurement synchronization
- Embedded, non-volatile memory
- Cell integrated balance drivers with high drive capability
- Integrated 5.0V voltage regulator
- 8-wire SPI Vertical communication bus (V-SPI bus)
- 4-wire SPI Lateral bus (L-SPI bus) to communicate with any SPI bus device (e.g., active balance controller)
- Broken cell tap connection detection
- Low power modes: Scan, 5.2mA @ full speed [5ms scan cycle], Standby (60µA), and Power down (50µA)

## GENERAL DESCRIPTION

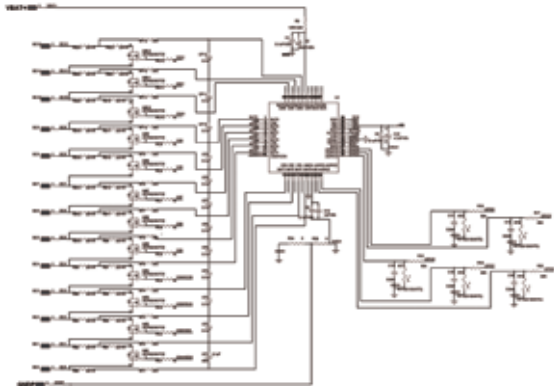
OZ8902 is a data acquisition chip, designed for use in the battery management systems of electric vehicle applications. It monitors the battery module cell voltages and temperatures.

OZ8902 uses Balancing on demand<sup>®</sup> to achieve cell balancing. Cell balancing is controlled by the host by setting the balance registers for cell voltage balance. Cell balance ensures longer battery life.

## APPLICATIONS

- Electric Bicycle
- Electric Motorcycle
- UPS Backup Battery
- Electric Vehicle (EV/HEV/PHEV)

## APPLICATION DIAGRAM



U.S. Patent #'s 7,081,737; 7,352,155; 7,629,771; 7,679,324; 7,696,725; 7,796,069; 7,973,514; 8,004,246; 8,015,452; 8,022,669; 8,030,895; and more patents pending.

# OZ8033

## FEATURES

- Ultra low dropout (LDO) regulator
- 170mV dropout
- 1.5% Accuracy over Line/Load/Temperature
- Fast load Transient Response
- Internal soft start function
- Protection includes: Over-current (OCP), Output Under-voltage (UVP), Under-voltage Lockout (UVLO) for VDDA and VIN, and Over-temperature (OTP)

## GENERAL DESCRIPTION

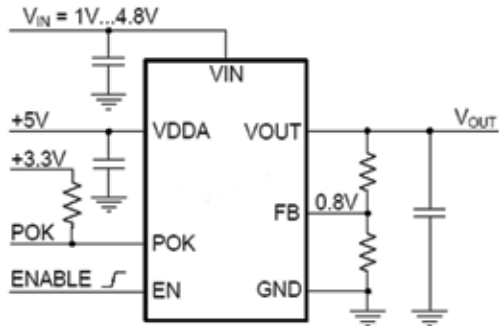
OZ8033 is a fast, high current, and ultra low dropout (LDO) regulator designed for DSP Core, front side bus VTT and other similar applications.

The device uses two power supplies: VIN and VDDA. VIN is the main supply providing the output current; VDDA is an auxiliary supply for all other internal circuitry. The voltages of both power supplies are internally monitored by the Under-voltage Lockout circuitry, which disables the chip when any of these voltages is lower than the safe operation threshold.

## APPLICATIONS

- Notebook Computer
- Industrial Computer
- Automotive Infotainment
- FPGA
- DSP Core and I/O Voltage
- Front Side Bus VTT
- Motherboard

## APPLICATION DIAGRAM



# OZ8116/8138

## FEATURES

- **OZ8116:** Single DC/DC SMPS controller with integrated drivers
- **OZ8138:** Dual DC/DC SMPS controller with integrated drivers
- Constant-Ripple-Current® control allows designing for optimum inductor size
- High efficiency up to 94%; High light load efficiency >85% at 100mA
- VREF accuracy of 1.5%
- Input voltage from 3V to 25V; Output voltage adjustable from 0.5V to 2.75V
- Output current – up to 15A
- Output protection: latched over- and under-voltage, and over-current
- Input protection: under-voltage lockout on VDDA and VIN
- Soft start at start-up
- Soft stop at shutdown

## GENERAL DESCRIPTION

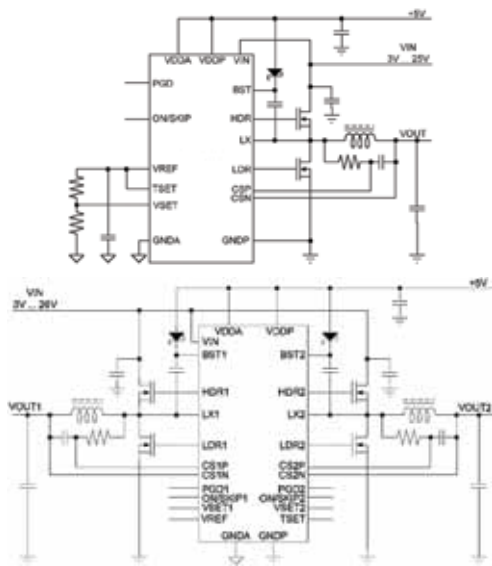
OZ8116/8138 are DC/DC Switched Mode Power Supply (SMPS) controllers specially developed to provide power control for next generation microprocessors, their peripherals and chipsets.

These ICs step down the high battery voltage to low output voltages in the range of 0.5V to 2.75V. High efficiency, DC accuracy and excellent transient response make OZ8116/8138 the perfect choice to supply low voltage CPU peripherals, chipset cores, and graphics processors.

## APPLICATIONS

- Power Supplies for Notebook CPU, Microcontrollers and Peripherals
- Industrial Computer
- GPS

## APPLICATION DIAGRAMS



U.S. Patent #'s 6,844,710; 6,965,221; 7,098,642; 7,202,650; 7,466,113; 7,598,718; 7,816,896; and more patents pending.

# OZ8022A/B/M

## FEATURES

- 3-level forward analog dimming control using a wall switch
- Quasi-resonant converter controller for high-brightness LEDs
- Low start-up current and operating current, maximizing conversion efficiency
- Peak current-mode control simplifies circuit design
- Under-voltage lockout with hysteresis
- Minimum off-time control for light-load operation, maximizing efficiency
- Provides complete protection functions:
  - OZ8022A/B: Maximum gate drive output at 19.5V
  - OZ8022M: Maximum gate drive output clamp
  - Over-voltage for IC bias voltage
  - Cycle-by-cycle current limit
  - LED short circuit; output over-voltage; and internal over-temperature

## GENERAL DESCRIPTION

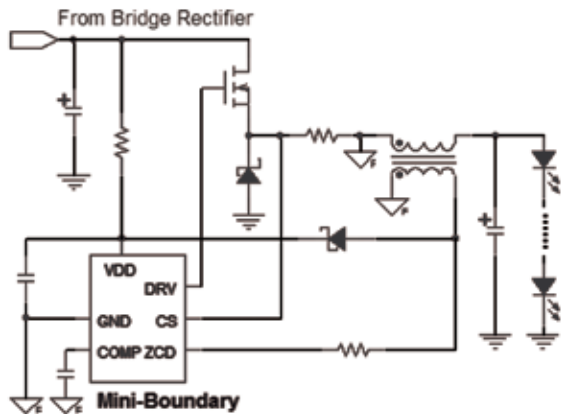
The OZ8022A/B/M are controllers for Buck converters that use quasi-resonant conversion technology. Each can be used to drive high-brightness LEDs in of-line applications.

OZ8022A/B/M provide proprietary patented Free Dimming™ technology to control LED brightness using an ON/OFF wall switch.

## APPLICATIONS

- LED Driver

## APPLICATION DIAGRAM



# OZ8022T

## FEATURES

- 3-level analog dimming control using a wall switch
- Quasi-resonant converter controller for high-brightness LEDs
- Built-in high-voltage startup circuit
- Under-voltage lockout with hysteresis
- Minimum off-time control for light-load operation, maximizing efficiency
- Provides complete protection functions:
  - Maximum gate drive output clamp
  - Over-voltage for IC bias voltage
  - Cycle-by-cycle current limit
  - LED short circuit; output over-voltage; and internal over-temperature

## GENERAL DESCRIPTION

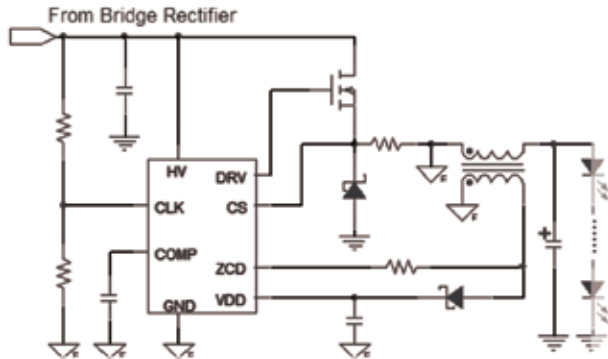
The OZ8022T is a controller for Buck converters that uses quasi-resonant conversion technology. It can be used to provide regulated current for high-brightness LEDs, with power factor correction, in offline applications.

OZ8022T provides proprietary patented Free Dimming technology to control LED brightness using an ON/OFF wall switch.

## APPLICATIONS

- LED Driver

## APPLICATION DIAGRAM



# OZ8022V

## FEATURES

- Quasi-resonant converter controller for high-brightness LEDs
- Supports high power factor for LED lighting applications
- Low start-up current and operating current, maximizing conversion efficiency
- Voltage-mode control simplifies circuit design
- Under-voltage lockout with hysteresis
- Minimum off-time control for light-load operation, maximizing efficiency
- Provides complete protection functions:
  - Maximum gate drive output clamp
  - Over-voltage for IC bias voltage
  - Cycle-by-cycle current limit
  - LED short circuit; output over-voltage; and internal over-temperature

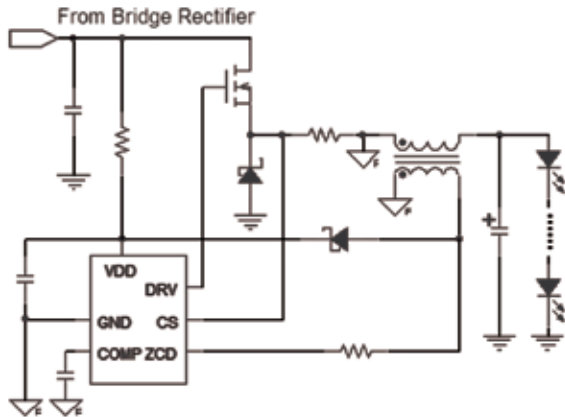
## GENERAL DESCRIPTION

The OZ8022V is a controller for Buck converters that uses quasi-resonant conversion technology. It can be used to drive high-brightness LEDs, with power factor correction, in offline applications. The Buck converter operates between the continuous and discontinuous mode of inductor current.

## APPLICATIONS

- LED Driver

## APPLICATION DIAGRAM



# OZ8024

## FEATURES

- Proprietary continuous PWM dimming technology using a wall switch
- Quasi-resonant converter controller for high-brightness LEDs
- Low stand-by and operating current
- Peak current-mode control simplifies circuit design
- Under-voltage lockout with hysteresis
- Minimum off-time control at high-input voltage operation condition
- Provides complete protection functions:
  - Maximum gate drive output
  - Over-voltage for IC bias voltage
  - Cycle-by-cycle current limit
  - LED short circuit; output over-voltage; and internal over-temperature

## GENERAL DESCRIPTION

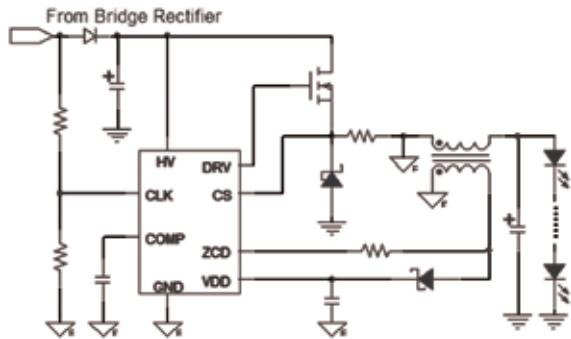
The OZ8024 is a controller for Buck converters that uses quasi-resonant conversion technology to provide regulated power for high-brightness LEDs in offline applications.

It provides a patented technology to control LED brightness using an ON/OFF wall switch. End-users can simply select a desired LED brightness.

## APPLICATIONS

- LED Driver

## APPLICATION DIAGRAM





# OZ8027

## FEATURES

- Primary side control, AC/DC converter controller
- High power factor with wide range input voltage
- Constant current output
- Fixed operation frequency
- Built-in high-voltage startup circuit
- Compatible with neon indicators in wall switch
- Provides complete protection functions:
  - VDD over-voltage
  - VDD under-voltage lockout with hysteresis
  - Open and Short LED
  - Primary side cycle-by-cycle current limit
  - Maximum gate drive output clamp
  - Over-temperature

## GENERAL DESCRIPTION

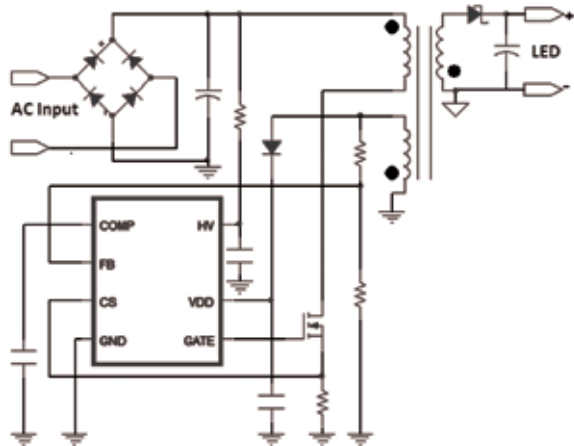
The OZ8027 is a primary side control, LED driver controller. It can be used in high power factor AC/DC converter applications.

OZ8027 works with neon indicators in a traditional wall switch, without interference.

## APPLICATIONS

- LED Lighting

## APPLICATION DIAGRAM



# OZ8027A

## FEATURES

- Primary side control, AC/DC converter controller
- High power factor with wide range input voltage
- Constant current output
- 3-level analog dimming control using a wall switch
- Fixed operation frequency
- Built-in high-voltage startup circuit
- Compatible with neon indicators in wall switch
- Provides complete protection functions:
  - VDD over-voltage
  - VDD under-voltage lockout with hysteresis
  - Open and Short LED
  - Primary side cycle-by-cycle current limit
  - Maximum gate drive output clamp
  - Over-temperature

## GENERAL DESCRIPTION

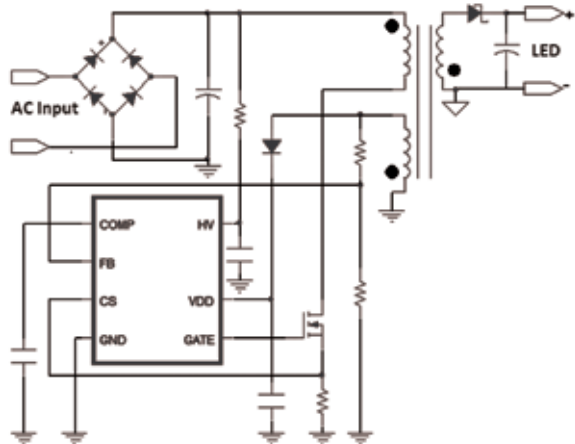
The OZ8027A is a primary side control, LED driver controller. It can be used in high power factor AC/DC converter applications.

OZ8027A works with neon indicators in a traditional wall switch, without interference.

## APPLICATIONS

- LED Lighting

## APPLICATION DIAGRAM



# OZ8023/8025

## FEATURES – OZ8023

- Quasi-resonant converter controller
- Built-in high-voltage startup circuit
- Voltage-mode control simplifies circuit design
- Under-voltage lockout with hysteresis
- Minimum off-time control for light-load operation, maximizing efficiency
- Excellent line-voltage regulation
- Provides complete protection functions:
  - Clamped gate drive output
  - Over-voltage for IC bias voltage
  - Cycle-by-cycle current limit
  - Output short circuit; over load; output over-voltage; and internal over-temperature

## FEATURES – OZ8025

- Secondary side LED controller
- 3-level analog dimming control using a wall switch
- Low operating current
- Provides complete protection functions:
  - VDD over-voltage
  - Output over-voltage
  - Internal over-temperature

## GENERAL DESCRIPTION

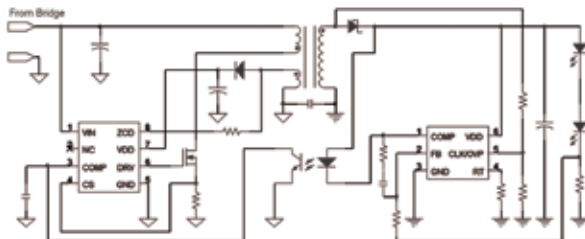
The **OZ8023** is a voltage-mode, quasi-resonant converter controller, suitable for offline, AC/DC flyback converter applications. It can be used as a single-stage power factor correction controller for an isolated power supply or LED driver applications.

The **OZ8025** is a controller for an isolated LED driver application. It provides a proprietary 3-level dimming control to LEDs using an ON/OFF wall switch.

## APPLICATIONS

- Isolated LED Driver

## APPLICATION DIAGRAM OZ8023/8025



# Company Background

Founded in April 1995, O<sub>2</sub>Micro® International Limited (NASDAQ: OIIM) designs, develops and markets innovative **power management** and **e-commerce** components for the Computer, Consumer, Industrial/Automotive, and Communications markets.

O<sub>2</sub>Micro maintains an extensive portfolio of intellectual property, and has numerous Trademark Applications and Copyright Registrations.

The company's extensive list of customers includes many of the world's leading electronics manufacturers.

For additional information, including sales office locations, please visit the O<sub>2</sub>Micro web site at [www.o2micro.com](http://www.o2micro.com).

Copyright © 2012-13 by O<sub>2</sub>Micro. All rights reserved.

PO<sub>2</sub>WER, the O<sub>2</sub>Micro logo, O<sub>2</sub>Micro, Cool Battery Technology, Constant-Ripple-Current, Balancing on demand, and combinations thereof are registered trademarks of O<sub>2</sub>Micro. Free Dimming and combinations thereof are trademarks of O<sub>2</sub>Micro.

All other trademarks are the property of their respective owners.

R-092112

**O<sub>2</sub>Micro**®  
Breathing Life into Mobility